



Xtreme® Airless Sprayers

The Latest in High-Performance, High-Pressure Technology



Setting the New Industry Standard in Airless Spraying

- Tested to outperform and outlast all other sprayers in the market
- Designed to withstand the harshest environmental conditions
- Easily handles the toughest protective coatings and corrosion control applications
- Provides material tracking, system diagnostics and runaway control
- More configurations means you get the right tool for any airless spraying job

PROVEN QUALITY. LEADING TECHNOLOGY.

Xtreme Sprayers with NXT™ Technology

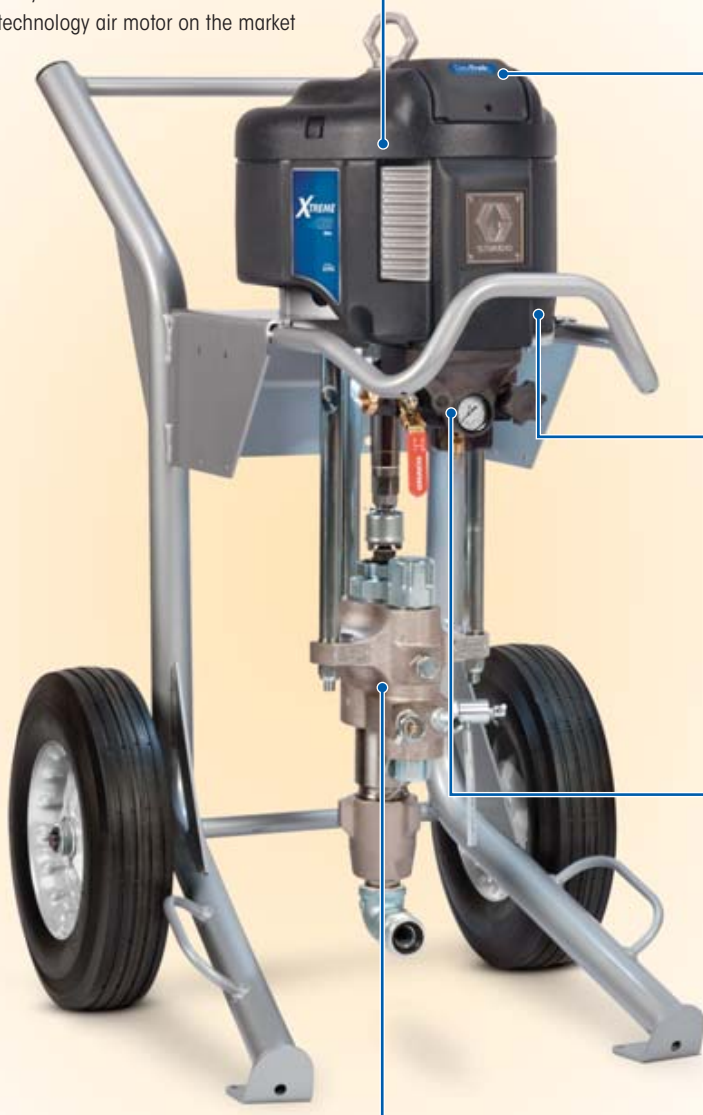
Discover the Next Generation of Xtreme Power and Performance

New NXT Air Motor Technology lasts up to 10 times longer!

We've taken the best and made it even better. With the Xtreme NXT, you get a new airless sprayer that sets a higher standard for long-lasting durability. In fact, the NXT air motor is proven to last 10 times longer than its predecessor, the Graco King. Built to handle the toughest protective coatings and corrosion control applications, the Xtreme NXT also provides easy access to its integrated air controls, a de-icing feature and reduced noise. And with more models and configurations to choose from, you get the precise pressure and output you need for your high performance coatings spraying applications.

NEW NXT Air Motor

- Modular design for easier maintenance
- Rugged body armor won't rust or dent
- Highest technology air motor on the market



NEW DataTrak™ Control

- Runaway protection
- Pump diagnostics
- Material usage
- Optional accessory



NEW Modular Air Valve

- De-ice controls eliminate icing
- Up to 50% quieter than previous models
- Modular air valve
 - Eliminates stalling
 - Easy-to-repair



NEW Integrated Air Controls

- Easy-turn regulator
- Front-mounted for convenient access
- Compact and modular
- Built-in filtration



Graco Xtreme Pump Lower with Built-In Filter

- Uses half the solvent of other sprayers
- Longer-lasting rod

What's NXT?

Innovation that boosts your productivity.

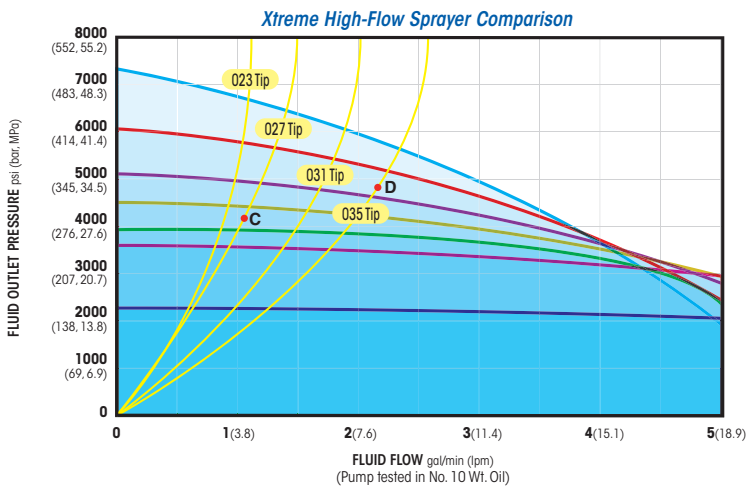
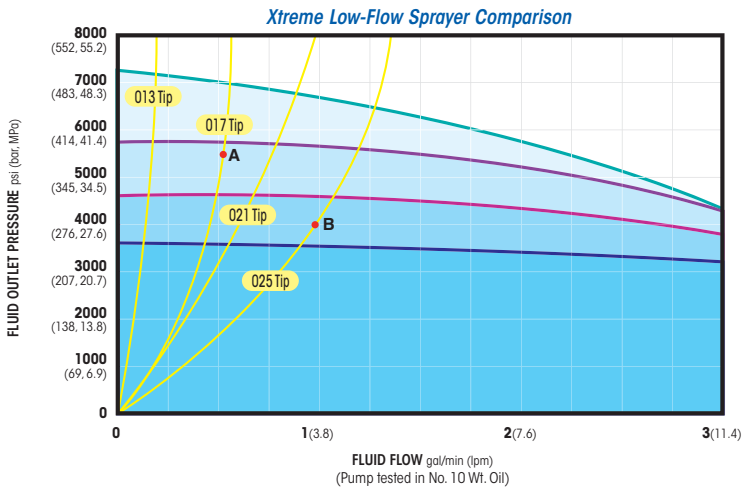
Graco Xtreme NXT. It's what's next.

The Rules Have Changed

Raising the Bar for High-Performance Airless Spraying

Reliability. Durability. More Choices.

Xtreme sprayers... the right flows at the right pressures for all your demanding spraying applications.



Finding the right sprayer

How to use these graphs

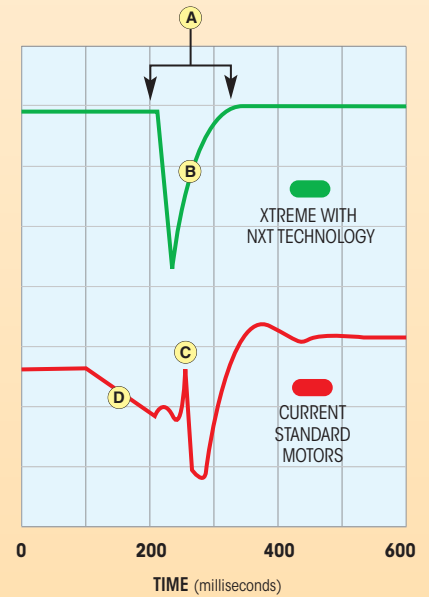
- Choose either low-flow or high-flow
- Select spray pressure
- Follow your tip size
- Where they meet you'll find the sprayer(s) right for your job

Examples above:

- | | |
|--|---|
| <p>A Tip: 017
Pressure: 5500 psi
Choose Xtreme X90, X55</p> <p>B Tip: 025
Pressure: 4000 psi
Choose Xtreme X90, X55, X46</p> | <p>C Tip: 027
Pressure: 4000 psi
Choose Xtreme X70, X60, X50, X45</p> <p>D Tip: 035
Pressure: 4800 psi
Choose Xtreme X70, X60</p> |
|--|---|

Less pulsation for better results

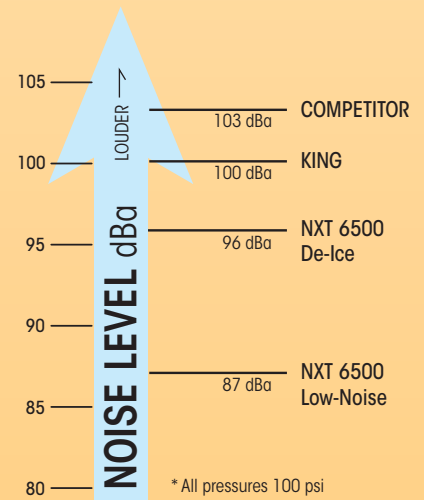
Xtreme NXT technology provides a smooth, rapid changeover for a better, more consistent finish and less user fatigue.



- A** Less than $\frac{1}{15}$ of a second changeover!
- B** Quick changeover and recovery with less pulsation
- C** Pressure spike at changeover
- D** Longer changeover causing pulsation

Noise-reduction technology

The quiet, low-noise NXT air motor operates around 87 decibels, while other comparable motors operate up to 103 dB(A).



Selecting the Right Xtreme Sprayer

Three new air motor sizes and 11 models to fit all your demanding applications

X x x x x x

PACKAGES

Product Identifier:
X=Xtreme Sprayer

Package Ratio:

- | | |
|------------------------------|------------------------------|
| 25: 3400cc motor/290cc lower | 50: 6500cc motor/250cc lower |
| 30: 3400cc motor/220cc lower | 55: 3400cc motor/115cc lower |
| 35: 2200cc motor/115cc lower | 60: 6500cc motor/220cc lower |
| 40: 3400cc motor/180cc lower | 70: 6500cc motor/180cc lower |
| 45: 6500cc motor/290cc lower | 90: 6500cc motor/145cc lower |
| 46: 3400cc motor/145cc lower | |

Motor Type:

D: De-Icing L: Low Noise

Mount Type:

H: Heavy-Duty Cart L: Light-Weight Cart W: Wall-Mount

Example:

X46DH2 is a 46:1,
De-Ice, heavy-duty,
bare package with DataTrak

Package/DataTrak:

- | | |
|--------------------------------------|---|
| 1: Complete package with DataTrak | 4: Bare package without DataTrak |
| 2: Bare package with DataTrak | 5: Complete hopper package with DataTrak |
| 3: Complete package without DataTrak | 6: Complete hopper package without DataTrak |

Notes: Packages sold with XSeal_LTH packings only. Packages sold with built-in filter only. Complete packages sold with XTR-7 gun, 50 ft x 3/8 hose and 6 ft x 1/4 whip hose. Wall-mount packages are only available bare, but include 10 ft suction hose with 55 gal suction tube.

Use the Smart Numbering System!

The six-digit Smart Numbering System can help you order quickly and accurately. Simply follow the diagram for the part you want and build your order.

P x x x C x

PUMPS

Product Identifier:
P=Xtreme Pump

Pump Ratio:

- | | |
|------------------------------|------------------------------|
| 25: 3400cc motor/290cc lower | 50: 6500cc motor/250cc lower |
| 30: 3400cc motor/220cc lower | 55: 3400cc motor/115cc lower |
| 35: 2200cc motor/115cc lower | 60: 6500cc motor/220cc lower |
| 40: 3400cc motor/180cc lower | 70: 6500cc motor/180cc lower |
| 45: 6500cc motor/290cc lower | 90: 6500cc motor/145cc lower |
| 46: 3400cc motor/145cc lower | |

Motor/DataTrak:

D: De-Icing: None L: Low Noise: None
E: De-Icing: DataTrak M: Low Noise: DataTrak

Lower Material:

C: Carbon Steel

Example:

P70DC2 is a 70:1
De-Ice, with built-in
filter and no air control

Filter/Air Controls:

- | | |
|--|-------------------------------------|
| 1: No built-in filter, no air controls | 3: No built-in filter, air controls |
| 2: Built-in filter, no air controls | 4: Built-in filter, air controls |

Note: Packages sold with XSeal_LTH packings only.

						X2	
XTREME SPRAYER	SPECIFICATIONS	Output per cycle				290	
		Motor Size				NXT	
		Maximum Working Pressure psi (bar, MPa)				23 (164,	
		Maximum Air Input Pressure psi (bar, MPa)				10 (7,	
		Maximum Free Flow Output gpm (lpm)				13.8	
		Output at 60 CPM gpm (lpm)				4.6	
		MOTOR TYPE	MOUNT TYPE	DATA TRAK INCLUDED	PACKAGE	X2	
SPRAYERS	COMPLETE	D	H	YES	C	X25	
		D	H	NO	C	X25	
		D	L	YES	C	X25	
		D	L	NO	C	X25	
		L	H	YES	C		
		L	H	NO	C		
		L	L	YES	C		
		L	L	NO	C		
		BARE	D	H	YES	B	X25
			D	H	NO	B	X25
			D	L	YES	B	X25
			D	L	NO	B	X25
	L		H	YES	B		
	L		H	NO	B		
	WITH HOPPER	D	H	YES	C	X25	
		D	H	NO	C	X25	
		D	L	YES	C	X25	
		D	L	NO	C	X25	
		L	H	YES	C		
		L	H	NO	C		
	WALL-MOUNT	D	W	YES	B	X25	
		D	W	NO	B	X25	
		L	W	YES	B		
		L	W	NO	B		
PUMPS	BARE	D	YES	NO	NO	P25	
		D	YES	NO	YES	P25	
		D	YES	YES	NO	P25	
		D	YES	YES	YES	P25	
		D	NO	NO	NO	P25	
		D	NO	NO	YES	P25	
		D	NO	YES	NO	P25	
		D	NO	YES	YES	P25	
		L	YES	NO	NO	P25	
		L	YES	NO	YES	P25	
		L	YES	YES	NO	P25	
		L	YES	YES	YES	P25	
		L	NO	NO	NO	P25	
		L	NO	NO	YES	P25	
		L	NO	YES	NO	P25	
		L	NO	YES	YES	P25	

LEGEND: Motor Type: D=De-Ice, L=Low-Noise

X25	X30	X35	X40	X45	X46	X50	X55	X60	X70	X90
220cc	220cc	115cc	180cc	290cc	145cc	250cc	115cc	220cc	180cc	145cc
NXT 3400	NXT 3400	NXT 2200	NXT 3400	NXT 6500	NXT 3400	NXT 6500	NXT 3400	NXT 6500	NXT 6500	NXT 6500
3150 (16.4)	3150 (217, 21.7)	3800 (262, 26.2)	3800 (262, 26.2)	4550 (313, 31.3)	4750 (327, 32.7)	5200 (359, 35.9)	5950 (410, 41.0)	6000 (417, 41.7)	7250 (500, 50.0)	7250 (500, 50.0)
100 (0.7)	100 (7, 0.7)	100 (7, 0.7)	100 (7, 0.7)	100 (7, 0.7)	100 (7, 0.7)	100 (7, 0.7)	100 (7, 0.7)	100 (7, 0.7)	100 (7, 0.7)	80 (5.4, .54)
10.0 (38)	10.0 (38)	6.0 (22.7)	8.5 (32)	13.8 (52.2)	7.5 (28)	11.3 (43)	6.0 (22.7)	10.0 (38)	8.5 (32)	7.5 (28)
3.4 (12.9)	3.4 (12.9)	2.0 (7.6)	2.9 (11.0)	4.6 (17)	2.3 (8.7)	4.0 (15.2)	2.0 (7.6)	3.4 (12.9)	2.9 (11.0)	2.3 (8.7)
X25	X30	X35	X40	X45	X46	X50	X55	X60	X70	X90
X30DH1	X30DH1	X35DH1	X40DH1	X45DH1	X46DH1	X50DH1	X55DH1	X60DH1	X70DH1	X90DH1
X30DH3	X30DH3	X35DH3	X40DH3	X45DH3	X46DH3	X50DH3	X55DH3	X60DH3	X70DH3	X90DH3
X30DL1	X30DL1	X35DL1	X40DL1	X45DL1	X46DL1	X50DL1	X55DL1	X60DL1	X70DL1	X90DL1
X30DL3	X30DL3	X35DL3	X40DL3	X45DL3	X46DL3	X50DL3	X55DL3	X60DL3	X70DL3	X90DL3
				X45LH1		X50LH1		X60LH1	X70LH1	X90LH1
				X45LH3		X50LH3		X60LH3	X70LH3	X90LH3
				X45LL1		X50LL1		X60LL1	X70LL1	X90LL1
				X45LL3		X50LL3		X60LL3	X70LL3	X90LL3
X30DH2	X30DH2	X35DH2	X40DH2	X45DH2	X46DH2	X50DH2	X55DH2	X60DH2	X70DH2	X90DH2
X30DH4	X30DH4	X35DH4	X40DH4	X45DH4	X46DH4	X50DH4	X55DH4	X60DH4	X70DH4	X90DH4
X30DL2	X30DL2	X35DL2	X40DL2	X45DL2	X46DL2	X50DL2	X55DL2	X60DL2	X70DL2	X90DL2
X30DL4	X30DL4	X35DL4	X40DL4	X45DL4	X46DL4	X50DL4	X55DL4	X60DL4	X70DL4	X90DL4
				X45LH2		X50LH2		X60LH2	X70LH2	X90LH2
				X45LH4		X50LH4		X60LH4	X70LH4	X90LH4
				X45LL2		X50LL2		X60LL2	X70LL2	X90LL2
				X45LL4		X50LL4		X60LL4	X70LL4	X90LL4
X30DH5	X30DH5	X35DH5	X40DH5	X45DH5	X46DH5	X50DH5	X55DH5	X60DH5	X70DH5	X90DH5
X30DH6	X30DH6	X35DH6	X40DH6	X45DH6	X46DH6	X50DH6	X55DH6	X60DH6	X70DH6	X90DH6
X30DL5	X30DL5	X35DL5	X40DL5	X45DL5	X46DL5	X50DL5	X55DL5	X60DL5	X70DL5	X90DL5
X30DL6	X30DL6	X35DL6	X40DL6	X45DL6	X46DL6	X50DL6	X55DL6	X60DL6	X70DL6	X90DL6
				X45LH5		X50LH5		X60LH5	X70LH5	X90LH5
				X45LH6		X50LH6		X60LH6	X70LH6	X90LH6
				X45LL5		X50LL5		X60LL5	X70LL5	X90LL5
				X45LL6		X50LL6		X60LL6	X70LL6	X90LL6
X30DW2	X30DW2	X35DW2	X40DW2	X45DW2	X46DW2	X50DW2	X55DW2	X60DW2	X70DW2	X90DW2
X30DW4	X30DW4	X35DW4	X40DW4	X45DW4	X46DW4	X50DW4	X55DW4	X60DW4	X70DW4	X90DW4
				X45LW2		X50LW2		X60LW2	X70LW2	X90LW2
				X45LW4		X50LW4		X60LW4	X70LW4	X90LW4
X25	X30	X35	X40	X45	X46	X50	X55	X60	X70	X90
P30DC2	P30DC2	P35DC2	P40DC2	P45DC2	P46DC2	P50DC2	P55DC2	P60DC2	P70DC2	P90DC2
P30DC4	P30DC4	P35DC4	P40DC4	P45DC4	P46DC4	P50DC4	P55DC4	P60DC4	P70DC4	P90DC4
P30EC2	P30EC2	P35EC2	P40EC2	P45EC2	P46EC2	P50EC2	P55EC2	P60EC2	P70EC2	P90EC2
P30EC4	P30EC4	P35EC4	P40EC4	P45EC4	P46EC4	P50EC4	P55EC4	P60EC4	P70EC4	P90EC4
P30DC1	P30DC1	P35DC1	P40DC1	P45DC1	P46DC1	P50DC1	P55DC1	P60DC1	P70DC1	P90DC1
P30DC3	P30DC3	P35DC3	P40DC3	P45DC3	P46DC3	P50DC3	P55DC3	P60DC3	P70DC3	P90DC3
P30EC1	P30EC1	P35EC1	P40EC1	P45EC1	P46EC1	P50EC1	P55EC1	P60EC1	P70EC1	P90EC1
P30EC3	P30EC3	P35EC3	P40EC3	P45EC3	P46EC3	P50EC3	P55EC3	P60EC3	P70EC3	P90EC3
P30LC2	P30LC2	P35LC2	P40LC2	P45LC2	P46LC2	P50LC2	P55LC2	P60LC2	P70LC2	P90LC2
P30LC4	P30LC4	P35LC4	P40LC4	P45LC4	P46LC4	P50LC4	P55LC4	P60LC4	P70LC4	P90LC4
P30MC2	P30MC2	P35MC2	P40MC2	P45MC2	P46MC2	P50MC2	P55MC2	P60MC2	P70MC2	P90MC2
P30MC4	P30MC4	P35MC4	P40MC4	P45MC4	P46MC4	P50MC4	P55MC4	P60MC4	P70MC4	P90MC4
P30LC1	P30LC1	P35LC1	P40LC1	P45LC1	P46LC1	P50LC1	P55LC1	P60LC1	P70LC1	P90LC1
P30LC3	P30LC3	P35LC3	P40LC3	P45LC3	P46LC3	P50LC3	P55LC3	P60LC3	P70LC3	P90LC3
P30MC1	P30MC1	P35MC1	P40MC1	P45MC1	P46MC1	P50MC1	P55MC1	P60MC1	P70MC1	P90MC1
P30MC3	P30MC3	P35MC3	P40MC3	P45MC3	P46MC3	P50MC3	P55MC3	P60MC3	P70MC3	P90MC3

Ordering Information & Accessories

To get genuine Graco accessories, see your nearest Graco Distributor, or call Graco at 1-877-844-7226.



Xtreme Lower

Part #	Output per cycle (cc)	Packing	Filter	Rod	Cylinder	Rebuild Kits
L085C1	85	Xseal_LTH	None	15J091	15F682	288054
L085C2	85	Xseal_LTH	Built-In	15J091	15F682	288054
L085C3	85	Tuff-Stack (5)	None	15J091	15F682	288056
L085C4	85	Tuff-Stack (5)	Built-In	15J091	15F682	288056
L115C1	115	Xseal_LTH	None	15J092	15F656	288058
L115C2	115	Xseal_LTH	Built-In	15J092	15F656	288058
L115C3	115	Tuff-Stack (5)	None	15J092	15F656	288060
L115C4	115	Tuff-Stack (5)	Built-In	15J092	15F656	288060
L145C1	145	Xseal_LTH	None	15J093	197315	244850
L145C2	145	Xseal_LTH	Built-In	15J093	197315	244850
L145C3	145	Tuff-Stack (5)	None	15J093	197315	244900
L145C4	145	Tuff-Stack (5)	Built-In	15J093	197315	244900
L180C1	180	Xseal_LTH	None	15J094	197316	244851
L180C2	180	Xseal_LTH	Built-In	15J094	197316	244851
L180C3	180	Tuff-Stack (5)	None	15J094	197316	244901
L180C4	180	Tuff-Stack (5)	Built-In	15J094	197316	244901
L220C1	220	Xseal_LTH	None	15J095	197317	244852
L220C2	220	Xseal_LTH	Built-In	15J095	197317	244852
L220C3	220	Tuff-Stack (5)	None	15J095	197317	244902
L220C4	220	Tuff-Stack (5)	Built-In	15J095	197317	244902
L250C1	250	Xseal_LTH	None	15J096	197318	244853
L250C2	250	Xseal_LTH	Built-In	15J096	197318	244853
L250C3	250	Tuff-Stack (5)	None	15J096	197318	244903
L250C4	250	Tuff-Stack (5)	Built-In	15J096	197318	244903
L290C1	290	Xseal_LTH	None	15J097	197319	244854
L290C2	290	Xseal_LTH	Built-In	15J097	197319	244854
L290C3	290	Tuff-Stack (5)	None	15J097	197319	244904
L290C4	290	Tuff-Stack (5)	Built-In	15J097	197319	244904

L X X X C X

Product Identifier:
L = Xtreme Lower

Lower Volume:

085: 85cc Xtreme 220: 220cc Xtreme
115: 115cc Xtreme 250: 250cc Xtreme
145: 145cc Xtreme 290: 290cc Xtreme
180: 180cc Xtreme

Lower Material:
C: Carbon Steel

Filter/Packings:

1: No built-in filter with Xtreme Seal (3) Leather (2)
2: Built-in filter with Xtreme Seal (3) Leather (2)
3: No built-in filter with TuffStack (5)
4: Built-in filter with TuffStack (5)

*Example:
L115C1 is a 115cc
Xtreme lower with
no built-in filter*

Replacement Screen Filter Elements

3-Pack	25-Pack	Description
238435	238436	30 mesh (595 micron)
238437	238438	60 mesh (250 micron)
238439	238440	100 mesh (149 micron)



XTR-7 Airless Guns & Accessories

XTR-7 Airless Spray Gun

248609	Round handle, 2-finger trigger, GHD tip guard, No tip
248610	Round handle, 4-finger trigger, 519 flat tip
248611	Oval-insulated handle, 4-finger trigger, 519 GHD RAC tip

248612	Oval-insulated handle, two-finger trigger, 519 GHD RAC tip
248613	Round handle, four-finger trigger, 519 GHD RAC tip
248614	Round handle, two-finger trigger, 519 GHD RAC tip

Accessories

287450	2-finger trigger kit
287449	4-finger round trigger kit
287451	4-finger oval insulation trigger kit
246294	10 in (254 mm) gun extension, 7250 psi (500 bar, 50 MPa)
246295	15 in (380 mm) gun extension, 7250 psi (500 bar, 50 MPa)
246296	18 in (457 mm) gun extension, 7250 psi (500 bar, 50 MPa)

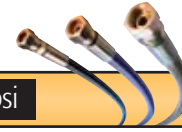
246297	180° spray nozzle, 7/8-14 UNC-2B, 7250 psi (500 bar, 50 MPa)
248837	Gun repair kit, includes gasket, needle and seat
245994	GHD tip guard kit
287032	Filter, 60 mesh
287033	Filter, 100 mesh
287034	Filter, 60 and 100 mesh combination

Xtreme-Duty High-Pressure Hoses

4500 psi

5600 psi

7250 psi



Xtreme-Duty 4500 psi (310 bar) High Pressure Hose

Part #	Length	Diameter	Female NPSM
H42503	3 ft (0.9 m)	1/4 in (6.4 mm)	1/4 in
H42506	6 ft (1.8 m)	1/4 in (6.4 mm)	1/4 in
H42510	10 ft (3.0 m)	1/4 in (6.4 mm)	1/4 in
H42525	25 ft (7.6 m)	1/4 in (6.4 mm)	1/4 in
H42550	50 ft (15.2 m)	1/4 in (6.4 mm)	1/4 in
H4251X	100 ft (30.5 m)	1/4 in (6.4 mm)	1/4 in
H43803	3 ft (0.9 m)	3/8 in (9.5 mm)	3/8 in
H43806	6 ft (1.8 m)	3/8 in (9.5 mm)	3/8 in
H43810	10 ft (3.0 m)	3/8 in (9.5 mm)	3/8 in
H43825	25 ft (7.6 m)	3/8 in (9.5 mm)	3/8 in
H43850	50 ft (15.2 m)	3/8 in (9.5 mm)	3/8 in
H4381X	100 ft (30.5 m)	3/8 in (9.5 mm)	3/8 in
H45010	10 ft (3.0 m)	1/2 in (12.7 mm)	1/2 in
H45025	25 ft (7.6 m)	1/2 in (12.7 mm)	1/2 in
H45050	50 ft (15.2 m)	1/2 in (12.7 mm)	1/2 in
H4501X	100 ft (30.5 m)	1/2 in (12.7 mm)	1/2 in

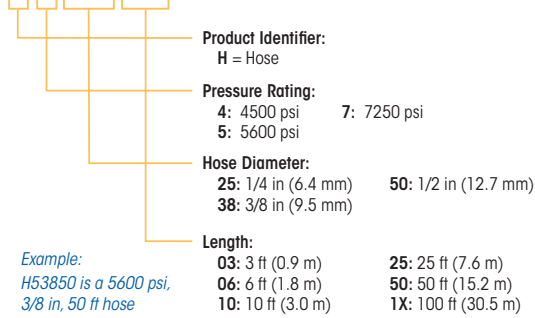
Xtreme-Duty 5600 psi (386 bar) High Pressure Hose

Part #	Length	Diameter	Female NPSM
H52503	3 ft (0.9 m)	1/4 in (6.4 mm)	1/4 in
H52506	6 ft (1.8 m)	1/4 in (6.4 mm)	1/4 in
H52510	10 ft (3.0 m)	1/4 in (6.4 mm)	1/4 in
H52525	25 ft (7.6 m)	1/4 in (6.4 mm)	1/4 in
H52550	50 ft (15.2 m)	1/4 in (6.4 mm)	1/4 in
H5251X	100 ft (30.5 m)	1/4 in (6.4 mm)	1/4 in
H53803	3 ft (0.9 m)	3/8 in (9.5 mm)	3/8 in
H53806	6 ft (1.8 m)	3/8 in (9.5 mm)	3/8 in
H53810	10 ft (3.0 m)	3/8 in (9.5 mm)	3/8 in
H53825	25 ft (7.6 m)	3/8 in (9.5 mm)	3/8 in
H53850	50 ft (15.2 m)	3/8 in (9.5 mm)	3/8 in
H5381X	100 ft (30.5 m)	3/8 in (9.5 mm)	3/8 in
H55010	10 ft (3.0 m)	1/2 in (12.7 mm)	1/2 in
H55025	25 ft (7.6 m)	1/2 in (12.7 mm)	1/2 in
H55050	50 ft (15.2 m)	1/2 in (12.7 mm)	1/2 in
H5501X	100 ft (30.5 m)	1/2 in (12.7 mm)	1/2 in

Xtreme-Duty 7250 psi (500 bar) High Pressure Hose

Part #	Length	Diameter	Female NPSM
H72503	3 ft (0.9 m)	1/4 in (6.4 mm)	1/4 in
H72506	6 ft (1.8 m)	1/4 in (6.4 mm)	1/4 in
H72510	10 ft (3.0 m)	1/4 in (6.4 mm)	1/4 in
H72525	25 ft (7.6 m)	1/4 in (6.4 mm)	1/4 in
H72550	50 ft (15.2 m)	1/4 in (6.4 mm)	1/4 in
H7251X	100 ft (30.5 m)	1/4 in (6.4 mm)	1/4 in
H73803	3 ft (0.9 m)	3/8 in (9.5 mm)	3/8 in
H73806	6 ft (1.8 m)	3/8 in (9.5 mm)	3/8 in
H73810	10 ft (3.0 m)	3/8 in (9.5 mm)	3/8 in
H73825	25 ft (7.6 m)	3/8 in (9.5 mm)	3/8 in
H73850	50 ft (15.2 m)	3/8 in (9.5 mm)	3/8 in
H7381X	100 ft (30.5 m)	3/8 in (9.5 mm)	3/8 in
H75010	10 ft (3.0 m)	1/2 in (12.7 mm)	1/2 in
H75025	25 ft (7.6 m)	1/2 in (12.7 mm)	1/2 in
H75050	50 ft (15.2 m)	1/2 in (12.7 mm)	1/2 in
H7501X	100 ft (30.5 m)	1/2 in (12.7 mm)	1/2 in

H x x x x x



Choose the Right Hose for the Job

Technical Specifications

- Working pressure 4500 psi (310 bar), 5600 psi (386 bar), or 7250 psi (500 bar)
- Temperature rating (all sizes) -40° to 180° F (-40° to 82°C)
- Chemical resistance Hose cover resistant to a wide variety of solvents, acids and bases
- Weather resistance Hose cover has outstanding resistance to oxygen, ozone, sunlight and general weather conditions
- Electrical properties Conductive hose

Xtreme NXT Spray Accessories



Part #	Description
288347	Hopper Feed Kit
253679	Wall-Mount Bracket
245132	Xtreme Floor-Stand Kit
NXT021	Integrated Air Control Module
NXT093	Coalescing Filter with Manual Drain for Integrated Air Control
NXT094	Coalescing Filter with Auto Drain for Integrated Air Control
NXT206	DataTrak Upgrade Kit for the NXT 2200
NXT306	DataTrak Upgrade Kit for the NXT 3400
NXT606	DataTrak Upgrade Kit for the NXT 6500
NXT107	NXT Air Motor Valve – fits all three sizes
NXT102	De-Ice Control Repair Kit

Part #	Description
NXT112	De-Ice Control (5-Pack)
NXT100	Replacement Poppet Valve Kit
181072	Round Suction Tube Strainer
191635	Tube Strainer
245176	Suction Kit, Replaces OEM Suction Assembly
245136	55 gal (200 l) suction tube extension,
210657	Ball Valve Inlet: 1/4 npt(m), Outlet: 1/4 npt(m)
210658	Ball Valve Inlet: 3/8 npt(m), Outlet: 3/8 npt(m)
210659	Ball Valve Inlet: 1/4 npt(m), Outlet: 3/8 npt(m)
245190	Inlet Ball Spring Load Kit: 145cc, 180cc
245191	Inlet Ball Spring Load Kit: 220cc, 250cc, 290cc



ABOUT GRACO

PROVEN QUALITY. LEADING TECHNOLOGY.

Founded in 1926, Graco is a world leader in fluid handling systems and components. Graco products move, measure, control, dispense and apply a wide range of fluids and viscous materials used in vehicle lubrication, commercial and industrial settings.

The company's success is based on its unwavering commitment to technical excellence, world-class manufacturing and unparalleled customer service. Working closely with qualified distributors, Graco offers systems, products and technology that set the quality standard in a wide range of fluid handling solutions. Graco provides equipment for spray finishing, protective coating, paint circulation, lubrication, and dispensing sealants and adhesives, along with power application equipment for the contractor industry. Graco's ongoing investment in fluid management and control will continue to provide innovative solutions to a diverse global market.

GRACO HEADQUARTERS

MAILING ADDRESS

P.O. Box 1441
Minneapolis, MN 55440-1441
Tel: 612.623.6000
Fax: 612.623.6777

AMERICAS

MINNESOTA

Worldwide Headquarters
Graco Inc.
88-11th Avenue N.E.
Minneapolis, MN 55413

EUROPE

BELGIUM

European Headquarters
Graco N.V.
Industrieterrein-Oude Bunders
Slakweidestraat 31
3630 Maasmechelen,
Belgium
Tel: 32.89.770.700
Fax: 32.89.770.777

ASIA PACIFIC

JAPAN

Graco K.K.
1-27-12 Hayabuchi
Tsuzuki-ku
Yokohama City, Japan 2240025
Tel: 81.45.593.7300
Fax: 81.45.593.7301

ASIA PACIFIC

CHINA

Graco Hong Kong Ltd.
Representative Office
Room 118 1st Floor
No.2 Xin Yuan Building
No.509 Cao Bao Road
Shanghai, P.R. China 200233
Tel: 86.21.649.50088
Fax: 86.21.649.50077

ASIA PACIFIC

KOREA

Graco Korea Inc.
Choheung Bank Building
4th Floor #1599
Gwanyang-Dong, Dongan-Ku,
Anyang-Si, Gyunggi-Do,
Korea 431-060
Tel: 82(Korea).31.476.9400
Fax: 82(Korea).31.476.9801

SALES/DISTRIBUTION/SERVICE

Call today for product information or to request a demonstration.

1.877.84GRACO (1-877-844-7226) or visit us at www.graco.com.

Graco Inc. is registered to I.S. EN ISO 9001

North America
Industrial Customer Service
800-328-0211
FAX 877-340-6427

GRACO INC.
P.O. Box 1441
Minneapolis, MN 55440-1441